

NELSON™ HEAT TRACING SYSTEMS SPECIFICATION / APPLICATION

TH4X325 THERMOSTAT

DESCRIPTION



ENCLOSURE

Die Cast Aluminum

CLASSIFICATIONS

NEMA Type 4X IP66

TEMPERATURE RANGE

Range
-4 to 163°C (25 to 325°F)

CAPILLARY

Length	Material	Max. Bulb Temp.
3m (10ft.)	Stainless Steel	215°C (420°F)

ELECTRICAL DATA

CSA Rating	UL Rating
22 amp resistance 480VAC	22 amp resistance 480VAC

CALIBRATION ACCURACY

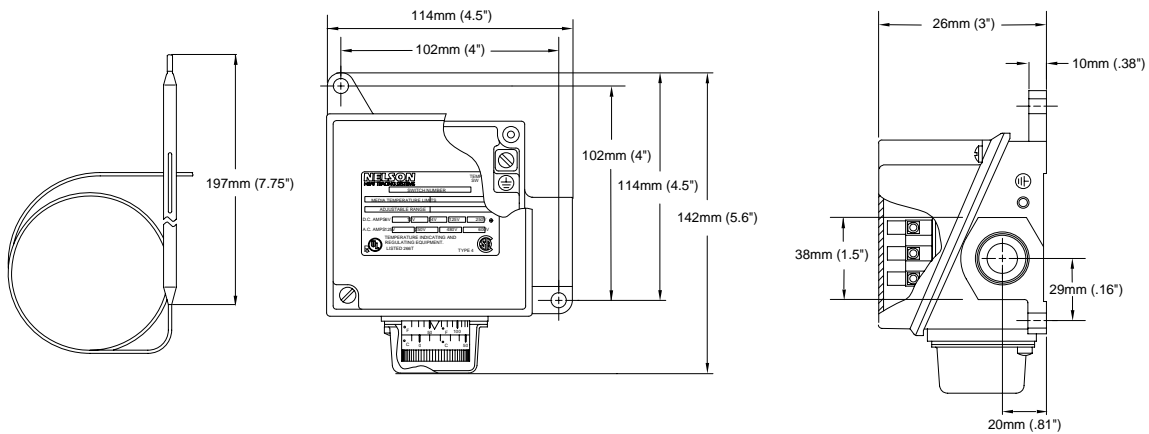
1.6°C (3°F)

SWITCH TYPE

Single Pole Double Throw

These thermostats are used for controlling heat tracing systems in an ordinary locations. The capillary bulb should be mounted on the side of the pipe.

OUTLINE



Annual Maintenance:

1. Remove cover.
2. Spray a coat of lubricant and rust preventative such as CRC Stor & Lube, electrical grade, on the thermostat body.
3. Replace cover.

Approvals:

General Locations

UL - E89748 CSA - LR701949 CE